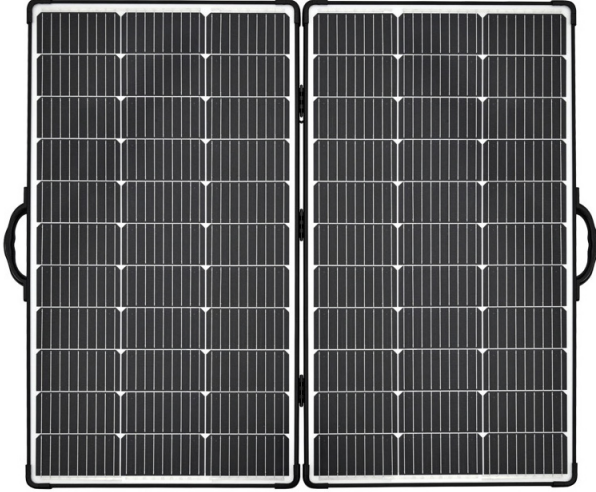


Product Details

PORTABLE SOLAR PANELS

HP-2*100W



MC4

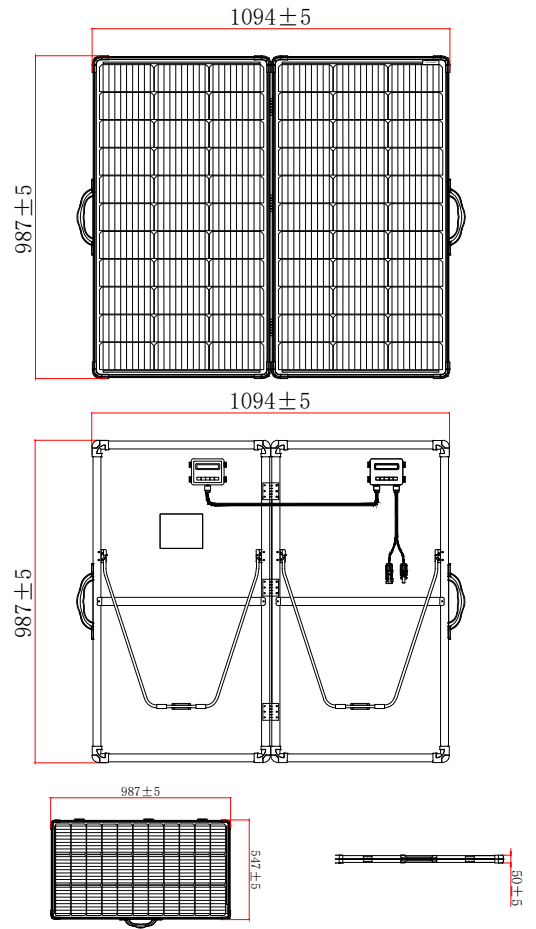


Corner protector



Handle

Module Diagram



Electrical Characteristics

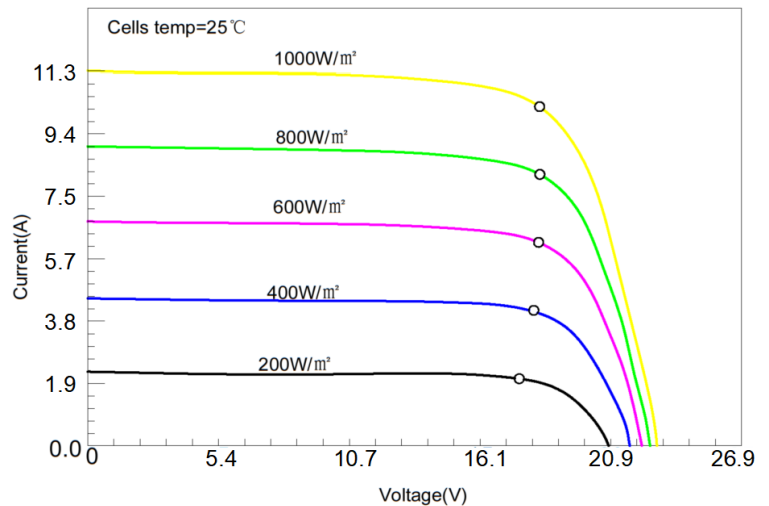
Maximum power(Pmax)	200W
Open-circuit voltage(Voc)	22.3V
Voltage at Pmax(Vmp)	19.1V
Short-circuit current(Isc)	10.99A
Current at Pmax(Imp)	10.48A
Cells Efficiency(%)	22.80%
The maximum system voltage	200V DC(IEC)
Power temperature coefficient	-0.38%/°C
Voltage temperature coefficient	-0.36%/°C
Current temperature coefficient	0.05%/°C
Output power tolerance	±3%
Operating Temperature	-20°C~70°C

Specifications

Solar cell brand	A grade mono solar cells 166mm
No.of cells and connections	66(3*11*2)
Folding size	1095*987*25mm
Development size	987*547*50mm
Weight	6.15KG
Output cable	1* 15SQ045 Diode 3m 12AWG Cable with MC4 to MC4 connector
Approvals	IP65
Certifications	CE, ROHS, FCC
Warranty	5-year warranty, 10-year service life

Product Introduction

Sungold Hi-Power Series foldable Solar Panel is a high-efficiency, foldable solar panel that comes in a stylish and convenient carrying bag that can be easily carried with the help of the handle. It is suitable for high-power application scenarios such as off-grid homes, RVs, commercial vehicles, boats, outdoor camping, and outdoor emergencies.



*SUNGOLD offer customize service, please refer to our website or ask SUNGOLD workers for more sizes and the latest parameters.